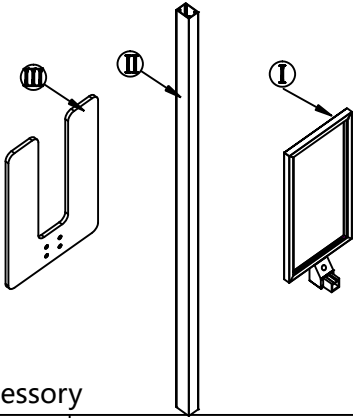


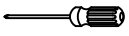
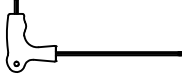


# ES-70W-4K-x

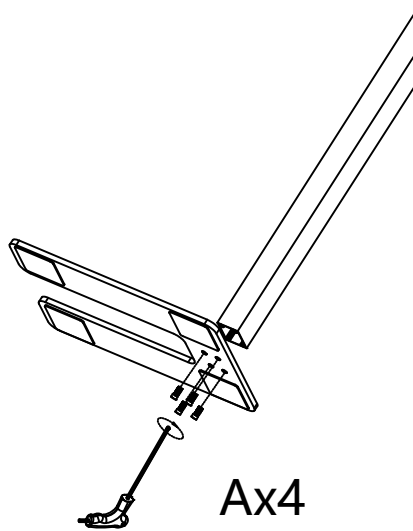
①



Accessory

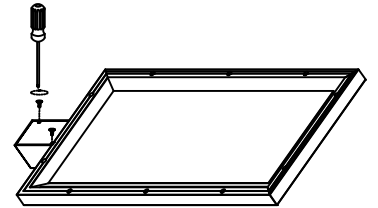
Screw A		AX4
Screw B		BX4
Cross point screwdriver		X1
Hexagon screwdriver		X1

②



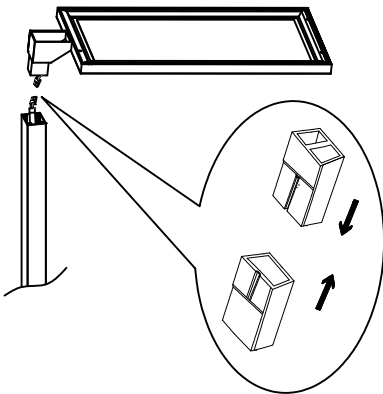
Fix the bottom pole onto base plate

③



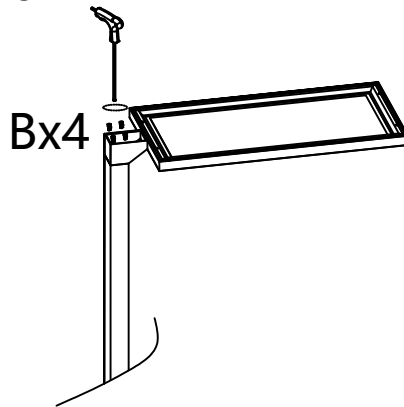
Open the box of lamp body

④



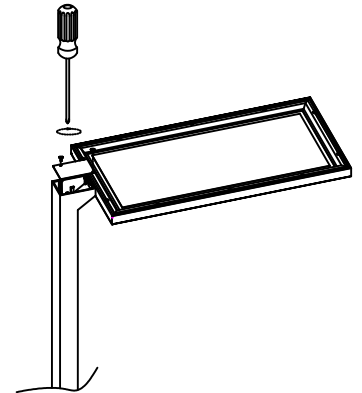
Connect the terminal block

⑤



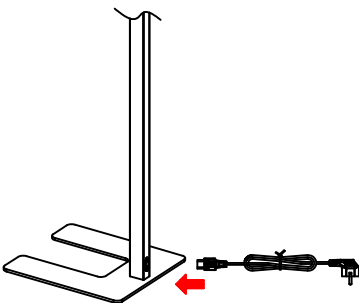
Fix the lamp holder with screws B

⑥



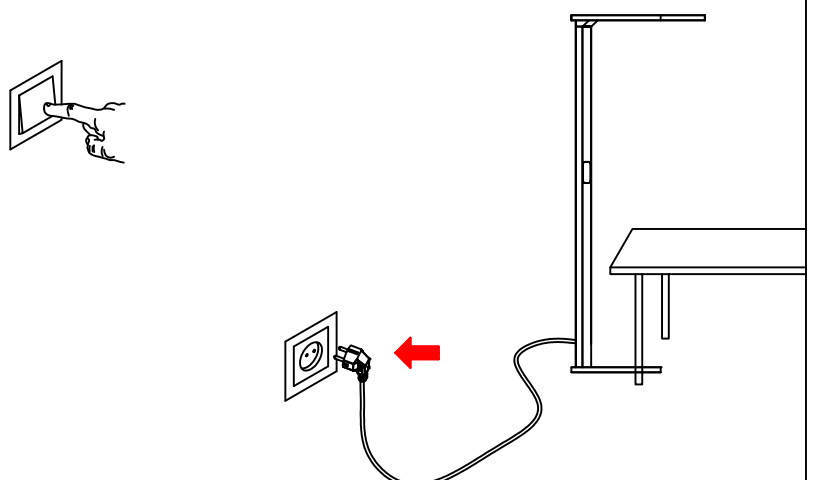
Close the box by screws

⑦

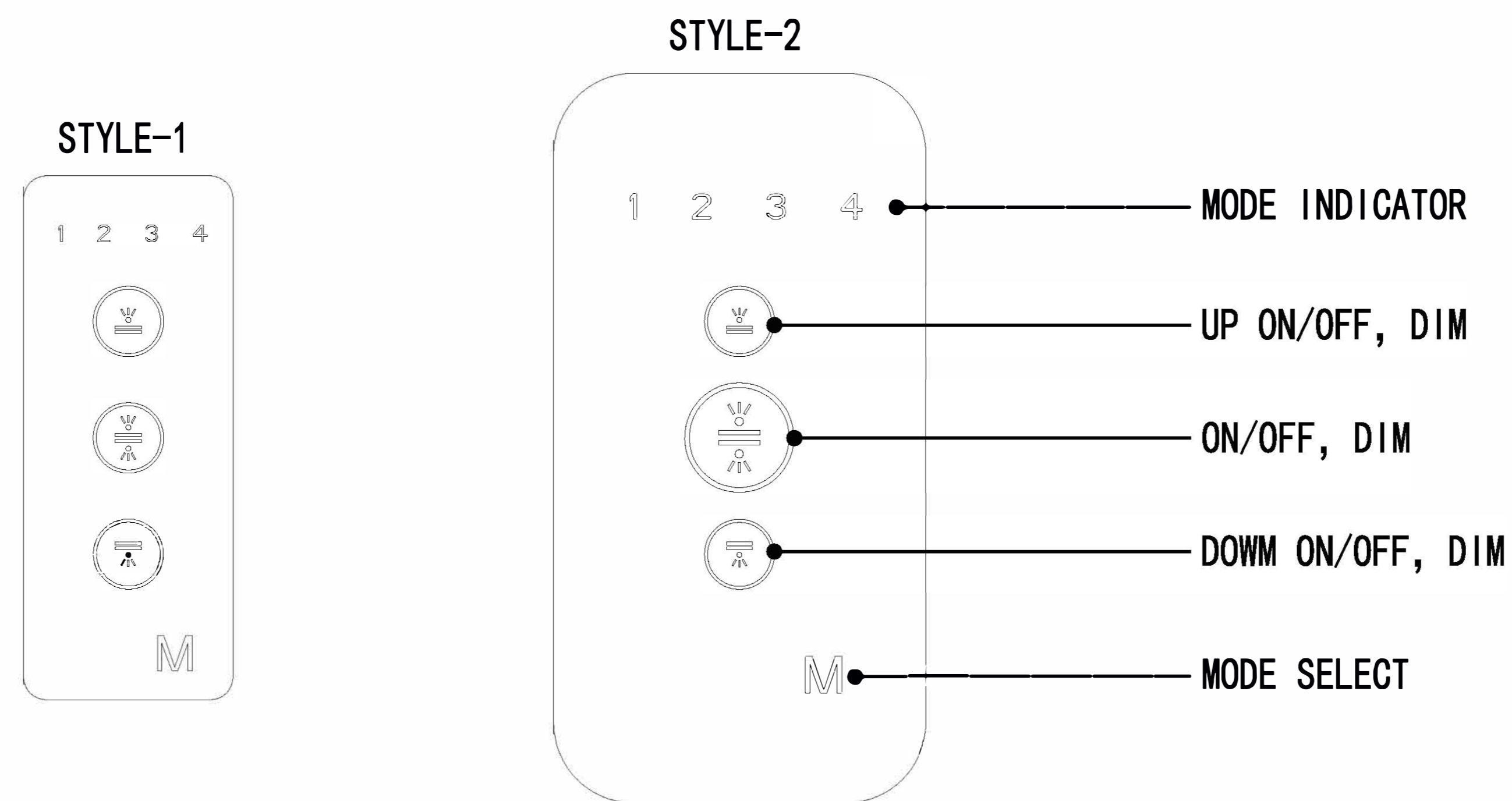


Insert the tail of the AC cable into the terminal seat of lamp pole

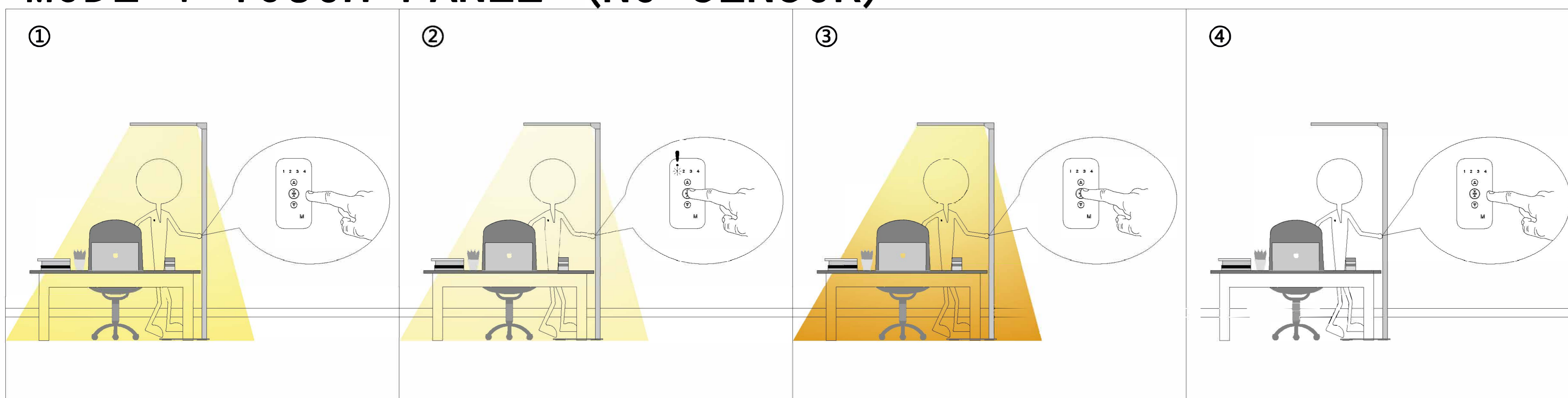
⑧



# Mode Function Description



## MODE 1-TOUCH PANEL (NO SENSOR)



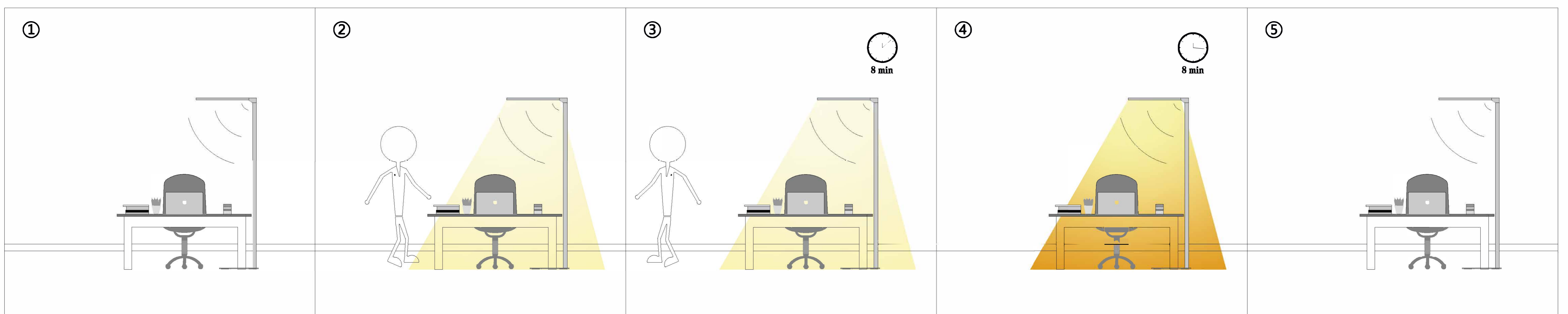
SHORT PRESS  
 " 1 " "ON"  
 " 2 " "UP ON"  
 " 3 " "DOWN ON"

KEEP TOUCH 1S AND INDICATOR  
 FLICKERING MEANS LUMEN  
 REACHED MAXIMUM OR MINIMUM

TO CHANGE DIM  
 DIRECTION TOUCH AGAIN  
 AND KEEP IT TOUCH

SHORT PRESS  
 " 4 " "OFF"  
 " 2 " "UP OFF"  
 " 3 " "DOWN OFF"

## MODE 2-MOTION SENSOR



OFF/MONITORING

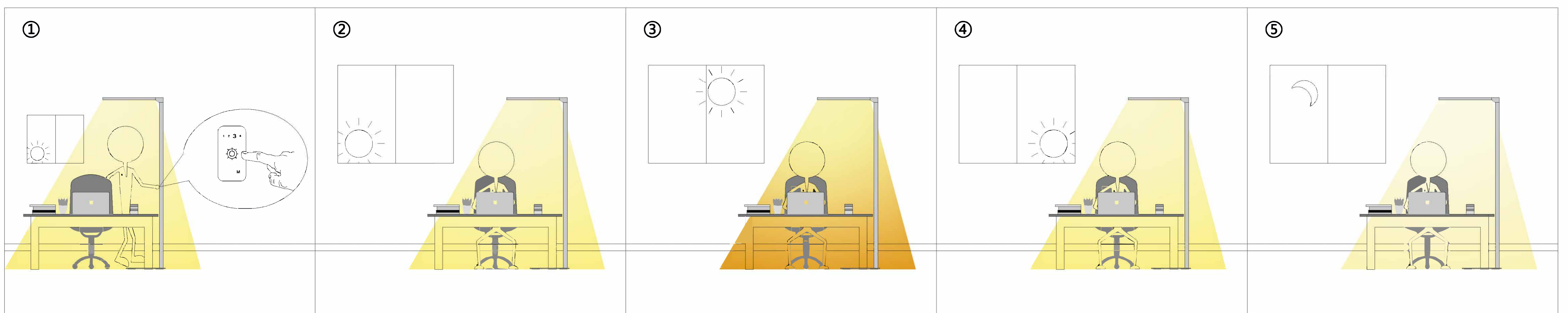
AUTO ON/CONSTANT  
 LIGHT-LEVEL ON DESK

DELAY TIME-8 MIN

STANDBY TIME-8 MIN

AUTO OFF/MONITORING

## MODE 3-DAYLIGHT SENSOR



SET THE COMFOR  
 BRIGHTNESS

AMBIENT LIGHT UNCHANGE  
 THE LAMP LIGHT UNCHANGE

AMBIENT LIGHT BRIGHTEN  
 THE LAMP LIGHT WILL BE DARKEN  
 TO KEEP THE ORIGINAL LUX

AMBIENT LIGHT REBACK  
 THE LAMP LIGHT WILL BE BACK  
 TO KEEP THE ORIGINAL LUX

AMBIENT LIGHT DARKEN  
 THE LAMP LIGHT WILL BE BRIGHTEN  
 TO KEEP THE ORIGINAL LUX

## MODE 4-INTEGRATE MODE 2 & 3 (MOTION SENSOR+DAYLIGHT SENSOR)